

# Little Hamlets – Giggleswick Plus



**A toddler tower system comprising of:**

- Square Tower (0.9m)
- Angled Tower (0.9m)
- Triangular Lookout Tower (0.9m)
- Slide (0.9m)
- Ladder (0.9m)
- Ramp Climber (0.9m)
- Scramble Net (0.9m)
- Bridge
- Playhouse
- Bubble Play Panel



**Code – LTH/GIG/\*1**

**Age**

2-5 years

**Materials**

Laminated Timber

Compact Grade Laminate (CGL)

Galvanised or Painted Mild Steel

Nylon Steel Cored Rope

LLDPE Slide

Various Plastic Mouldings

## Technical Information

### Equipment Dimensions

Length / Width / Height **3.9m x 3.1m x 2.2m**

### Surfacing and Area Required

Recommended Minimum Space **7.4m x 5.9m x 3.0m**

L/W/H

Max Gradient of Ground **1 in 50**

Free Height of Fall **0.9m**

Impact Area **27.40m<sup>2</sup>**

Synthetic Area **25.46m<sup>2</sup>**

(i.e. EPDM / Wetpour / Synthetic Grass etc.)

Loosefill at 250mm **10m<sup>3</sup>**

(i.e. Bark / Cushionfall / Sand)

1m x 1m Grassmats **37m<sup>2</sup>**

### Installation Information

Steel Ground Fixed

Surface Fixed  
(if different)

Installation Time **2 Person(s) 14 Hour(s)**

Overall Weight **358kg**

Heaviest Part **20kg**

Largest Part **1.8m x 0.5m x 0.5m**

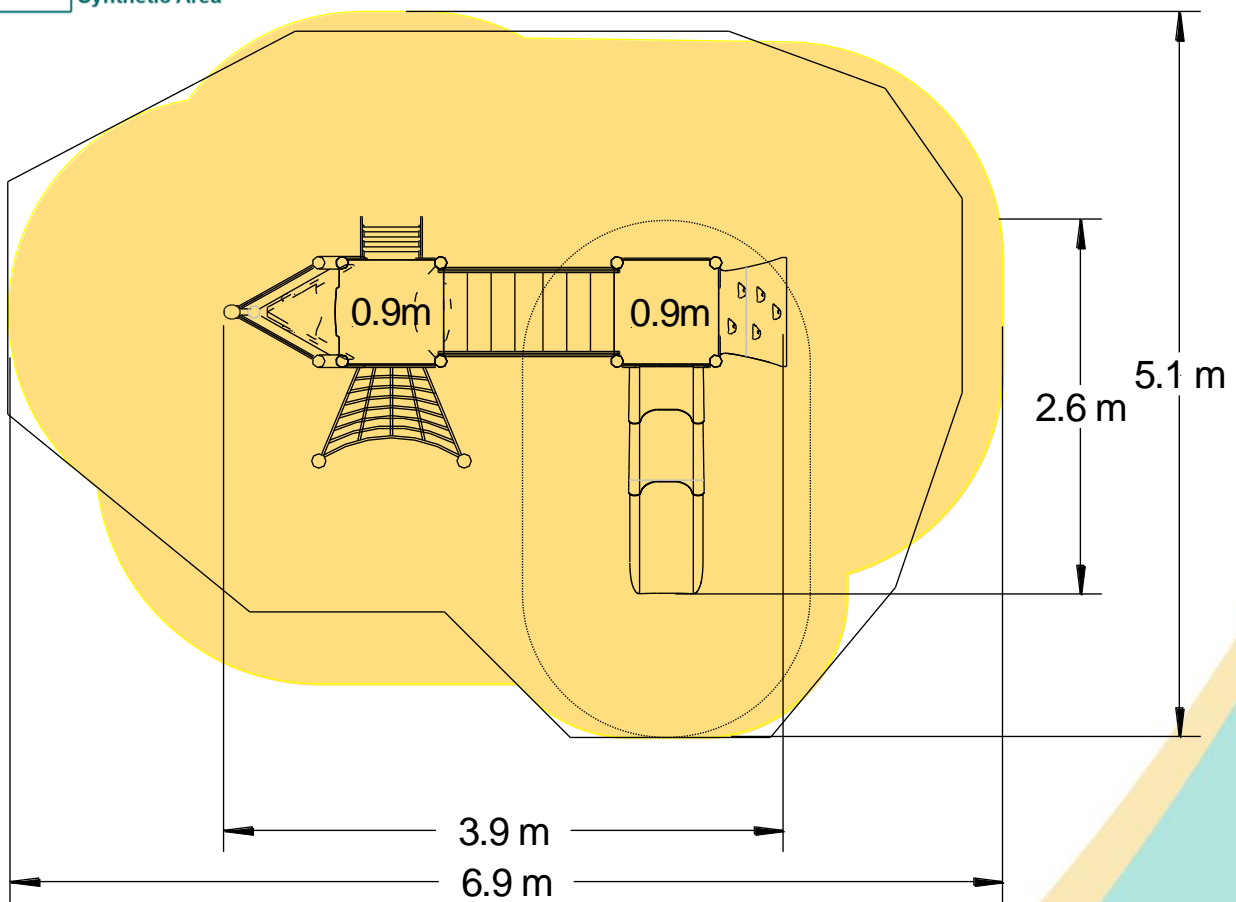
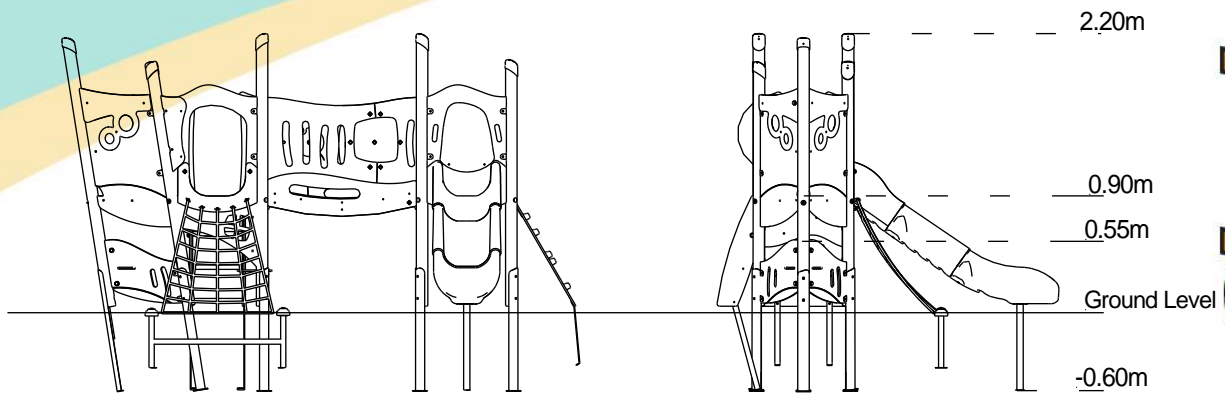
Longest Part **1.8m**

Concrete Required **1.0m<sup>3</sup>**

Certified to EN 1176

[Click here for more information & downloads](#)





[Click here for more information & downloads](#)

